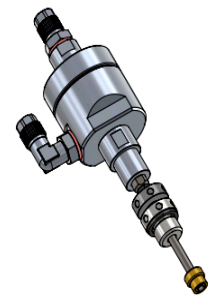


Update material valve for all LC 5 mixing head versions

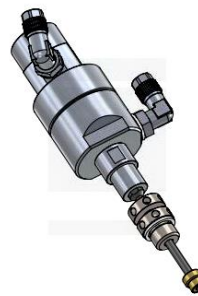
Changes:

- strengthened spring pre-load
- hardened needle available
- needle modification
- improved greasing

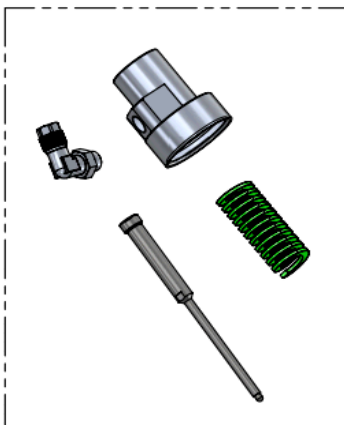
Previous Version



New Version



Required component for the backfitting



Valve needle in a diameter of
1 mm, 2 mm and 4 mm
available

Several advantages arise

- improved sealing at the outlet
- less abrasion of the needle
- no manual adjustment of the valve
- low maintenance requirements

Attention: For modification only shown components are needed!